



MISTER RADIATOR CO.,LTD



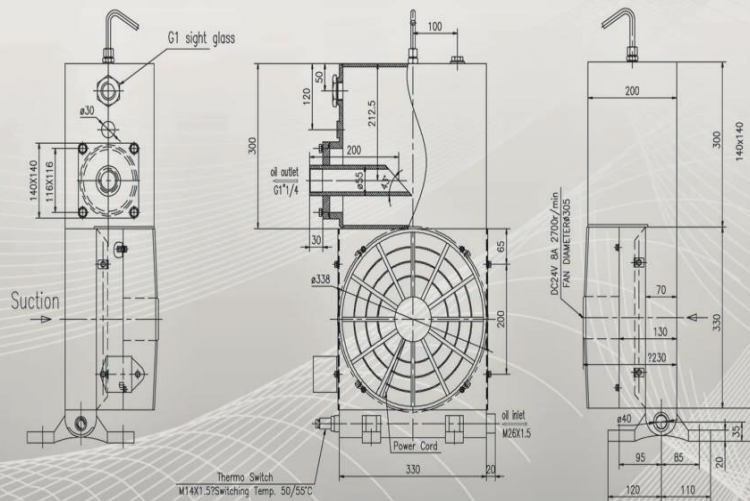
PRODUCT CATALOG 2017/18

www.MisterRadiator.com

CONCRETE MIXER COOLERS

16/18 LITRE COOLER COMBO WITH FAN

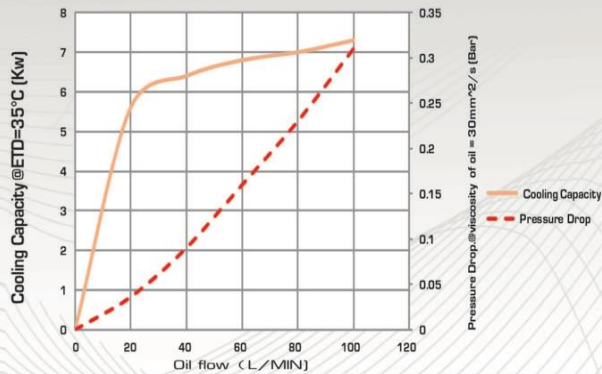
Integrated Tank Cooler Combo for closed circuit hydraulic installations



TYPE OF FAN	Voltage	IP	DIAMETER OF FAN	dB(A)	Kg	Q _{air} (m ³ /h)	Cap. (L)
DC12V; 8A; RPM2700	12	68	305	74	22	1800	18
DC24V; 8A; RPM2700	24	68	305	74	22	1800	18

Oil flow (L/MIN)	0	20	40	60	80	100
Cooling capacity (KW)	0	5.6	6.4	6.8	7	7.3
Pressure drop, @viscosity of oil = 30mm ² /s(Bar)	0	0.036	0.09	0.16	0.25	0.31

COOLING CAPACITY:



Note: The performance curves above are based on the following:

- 1300m³/h cooling air flow, static pressure 60Pa.
- 35°C Entering Temperature Difference (ETD)
- Pressure drop depending on flow rate and the viscosity of oil. Graph uses oil viscosity of 30mm²/s.

